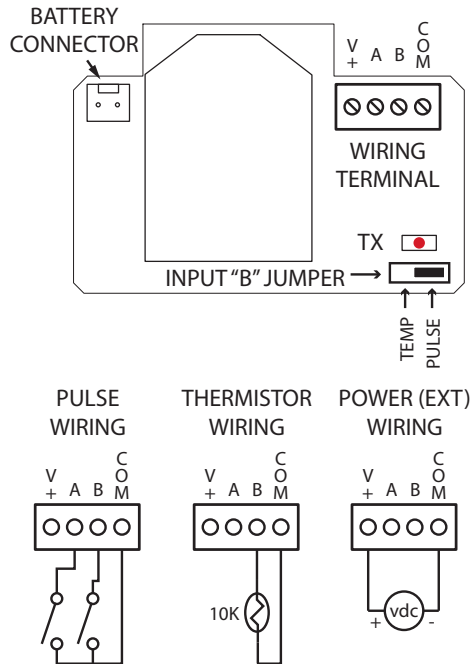




INSTALLATION MANUAL - T8-SML

Pulse/Temperature data radio transceiver

WIRING/CONFIGURATION



Transmitter installation:

1. Route pulse input or switch wires through cable gland and connect from "A" or "B" terminal to ground terminal. Tighten cable gland to prevent water entry if installed in wet location.

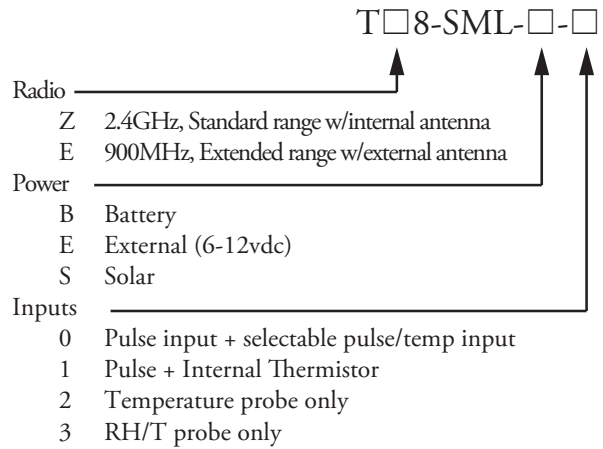
Note: No wiring required for models with integrated thermistor or RH/T probe.

2. Move jumper (if equipped) to select pulse or temp option for "B" input.
3. Thread antenna onto transmitter antenna connector.
4. Connect battery plug to transmitter circuit board connector to power transmitter on.
5. Replace transmitter cover taking care to avoid pinching battery wires. Tighten screws to engage seal.

SPECIFICATIONS

Power	Power Supply	Internal (2 x AAA) alkaline battery. External option: 6 to 12vdc input, 3mA min. (terminal block)
Inputs	Temperature probe	Integrated stainless steel sensing probe
	Thermistor	Thermistor input for external 10k type 2 or type 3 (specify)
	Pulse	Dry contact or solid-state switch closure counting (Non-volatile storage)
Configuration/Setup	Transmit rate	Programmable interval (Factory set, or configurable from serial receiver)
	Indicators	Internal transmit status LED
Radio	Frequency	2.4GHz (TZ8) or 902-928MHz (TE8), Unlicensed ISM band, direct FM
	Range (TZ8)	1,000 ft. line of sight
	Range (TE8)	1 mile outdoor line-of-sight. 3 miles with optional directional antenna
Enclosure		UV stable polycarbonate, NEMA 4X, 3.7" x 2.35" x 1.5", with molded-in mounting brackets

MODEL NUMBERING SYSTEM



RH/T SENSOR PROBE

Fully calibrated. Excellent long-term stability. Recovers from 100% saturation.

SPECIFICATIONS:	
RANGE	0 to 100%RH, -40 to 120°C
RH ACCURACY	+/-2%RH over 20-80%RH range
TEMP ACCURACY	+/-0.3°C over 0-60°C range
OUTPUT	I ² C for use with T8 transceiver models only